

### Cleaning & Maintenance

Always spray detergents on a cloth and not directly on the product, and rinse the surface thoroughly with water afterwards. Residues from basic detergents that are not washed off with water may cause damage to the surface. Do not use detergents containing strong acids or chemicals such as iodine, chlorine, fluorine, bromine and hydrogen peroxides. These chemicals can cause damage to the protective layer of the product.

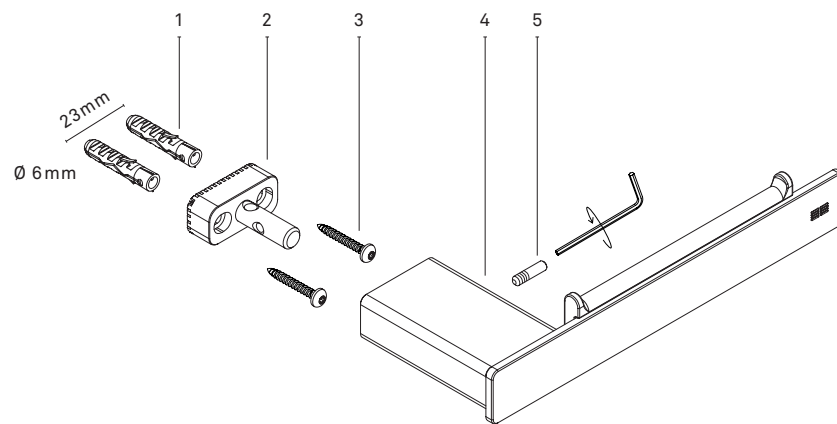
For maintenance we recommend using a gentle care product for stainless steel. Always rub brushed steel in the direction of the brush lines.


### MOUNTING INSTRUCTIONS

[www.unidrain.com/reframe](http://www.unidrain.com/reframe)

 RE | FRAME  
collection by unidrain

# TOILET PAPER HOLDER



  
Drill size:  $\varnothing 6\text{mm}$

  
Bit torx 20